



Operator's Manual



Label Printer

MACH 4S

MADE IN GERMANY

Family	Type	
MACH 4S	-	MACH 4.3S/200B
	-	MACH 4.3S/200P
	-	MACH 4.3S/200C
	MACH 4S/300B	MACH 4.3S/300B
	MACH 4S/300P	MACH 4.3S/300P
	MACH 4S/300C	MACH 4.3S/300C
	MACH 4S/600B	-
	MACH 4S/600P	-
	MACH 4S/600C	-

Edition: 07/2021 - **Part No.** 9003058

Copyright

This documentation as well as translation hereof are property of cab Produkttechnik GmbH & Co. KG.

The replication, conversion, duplication or divulgement of the whole manual or parts of it for other intentions than its original intended purpose demand the previous written authorization by cab.

Trademark

Windows is a registered trademark of the Microsoft Corporation.

Editor

Regarding questions or comments please contact cab Produkttechnik GmbH & Co. KG.

Topicality

Due to the constant further development of our products discrepancies between documentation and product can occur.

Please check www.cab.de for the latest update.

Terms and conditions

Deliveries and performances are effected under the General conditions of sale of cab.

Germany
cab Produkttechnik GmbH & Co KG
Karlsruhe
Phone +49 721 6626 0
www.cab.de

USA
cab Technology, Inc.
Chelmsford, MA
Phone +1 978 250 8321
www.cab.de/us

Taiwan
cab Technology Co., Ltd.
Taipei
Phone +886 (02) 8227 3966
www.cab.de/tw

Singapore
cab Singapore Pte. Ltd.
Singapore
Phone +65 6701 8691
www.cab.de/en

France
cab Technologies S.à.r.l.
Niedermodern
Phone +33 388 722501
www.cab.de/fr

Mexico
cab Technology, Inc.
Juárez
Phone +52 656 682 4301
www.cab.de/es

China
cab (Shanghai) Trading Co., Ltd.
Shanghai
Phone +86 (021) 6236 3161
www.cab.de/cn

South Africa
cab Technology (Pty) Ltd.
Randburg
Phone +27 11 886 3580
www.cab.de/za

1	Introduction	4
1.1	Instructions.....	4
1.2	Intended Use.....	4
1.3	Safety Instructions.....	5
1.4	Environment.....	5
2	Installation	6
2.1	Device Overview	6
2.2	Unpacking and Setting-up the Printer	7
2.3	Connecting the Device.....	7
2.3.1	Connecting to the Power Supply	7
2.3.2	Connecting to a Computer or Computer Network	7
2.4	Switching on the Device.....	7
3	Touchscreen Display	8
3.1	Start Screen	8
3.2	Navigation in the Menu	10
4	Loading Material.....	11
4.1	Loading Label Rolls.....	11
4.1.1	Adjusting the Roll Retainer	11
4.1.2	Loading the Label Roll.....	12
4.1.3	Inserting Labels into the Transport Module	12
4.2	Loading Fanfold Media.....	13
4.3	Loading Labels for Peel-off Mode	14
4.4	Selecting and Positioning Label Sensors.....	15
4.4.1	Gap Sensors.....	15
4.4.2	Reflex Sensor.....	15
4.5	Loading Transfer Ribbon.....	16
4.6	Setting the Feed Path of the Transfer Ribbon.....	17
5	Printing Operation.....	18
5.1	Synchronization of the Paper Feed.....	18
5.2	Tear-off Mode	18
5.3	Peel-off Mode.....	18
5.4	Cutting Mode.....	18
6	Cleaning.....	19
6.1	Cleaning Information.....	19
6.2	Cleaning the Print Roller	19
6.3	Cleaning the Printhead.....	19
6.4	Cleaning the Label Sensors	19
6.5	Cleaning the Cutter	20
7	Fault Correction	21
6.6	Error Display	21
6.7	Error Messages and Fault Correction	21
7.1	Problem Solution.....	23
8	Media	24
8.1	Media Dimensions.....	24
8.2	Device Dimensions	25
8.3	Reflex Mark Dimensions	26
8.4	Cut-out Mark Dimensions.....	27
9	Licenses.....	28
9.1	Reference to the EU Declaration of Conformity	28
9.2	FCC.....	28
10	Index.....	29

1.1 Instructions

Important information and instructions in this documentation are designated as follows:

**Danger!**

Draws attention to an exceptionally great, imminent danger to your health or life due to hazardous voltages.

**Danger!**

Draws attention to a danger with high risk which, if not avoided, may result in death or serious injury.

**Warning!**

Draws attention to a danger with medium risk which, if not avoided, may result in death or serious injury.

**Caution!**

Draws attention to a danger with low risk which, if not avoided, may result in minor or moderate injury.

**Attention!**

Draws attention to potential risks of property damage or loss of quality.

**Note!**

Advices to make work routine easier or on important steps to be carried out.

**Environment!**

Gives you tips on protecting the environment.



Handling instruction



Reference to section, position, illustration number or document.



Option (accessories, peripheral equipment, special fittings).

Time

Information in the display.

1.2 Intended Use

- The device is manufactured in accordance with the current technological status and the recognized safety rules. However, danger to the life and limb of the user or third parties and/or damage to the device and other tangible assets can arise during use.
- The device may only be used for its intended purpose and if it is in perfect working order, and it must be used with regard to safety and dangers as stated in the operating manual.
- The device is intended exclusively for printing suitable materials. Any other use or use going beyond this shall be regarded as improper use. The manufacturer/supplier shall not be liable for damage resulting from unauthorized use; the user shall bear the risk alone.
- Usage for the intended purpose also includes complying with the operating manual, including the manufacturer's maintenance recommendations and specifications.

1.3 Safety Instructions

- The device is configured for voltages of 100 to 240 V AC. It only has to be plugged into a grounded socket.
- Only connect the device to other devices which have a protective low voltage.
- Switch off all affected devices (computer, printer, accessories) before connecting or disconnecting.
- The device may only be used in a dry environment, do not expose it to moisture (sprays of water, mists, etc.).
- Do not use the device in an explosive atmosphere.
- Do not use the device close to high-voltage power lines.
- If the device is operated with the cover open, ensure that people's clothing, hair, jewelry etc. do not come into contact with the exposed rotating parts.
- The device or parts of it can become hot while printing. Do not touch during operation, and allow to cool down before changing material and before disassembly.
- Perform only those actions described in this operating manual.
Work going beyond this may only be performed by trained personnel or service technicians.
- Unauthorized interference with electronic modules or their software can cause malfunctions.
- Other unauthorized work on or modifications to the device can also endanger operational safety.
- Always have service work done in a qualified workshop, where the personnel have the technical knowledge and tools required to do the necessary work.
- There are various warning stickers on the device. They draw your attention to dangers.
Warning stickers must therefore not be removed, as then you and other people cannot be aware of dangers and may be injured.
- The maximum sound pressure level is less than 70 dB(A).

**Danger!**

Danger to life and limb from power supply.

- ▶ Do not open the device casing.

**Warning!**

This is a class A product. In a domestic environment this product may cause radio interference in which case the user may be required to take adequate measures.

1.4 Environment



Obsolete devices contain valuable recyclable materials that should be sent for recycling.

- ▶ Send to suitable collection points, separately from residual waste.

The modular construction of the printer enables it to be easily disassembled into its component parts.

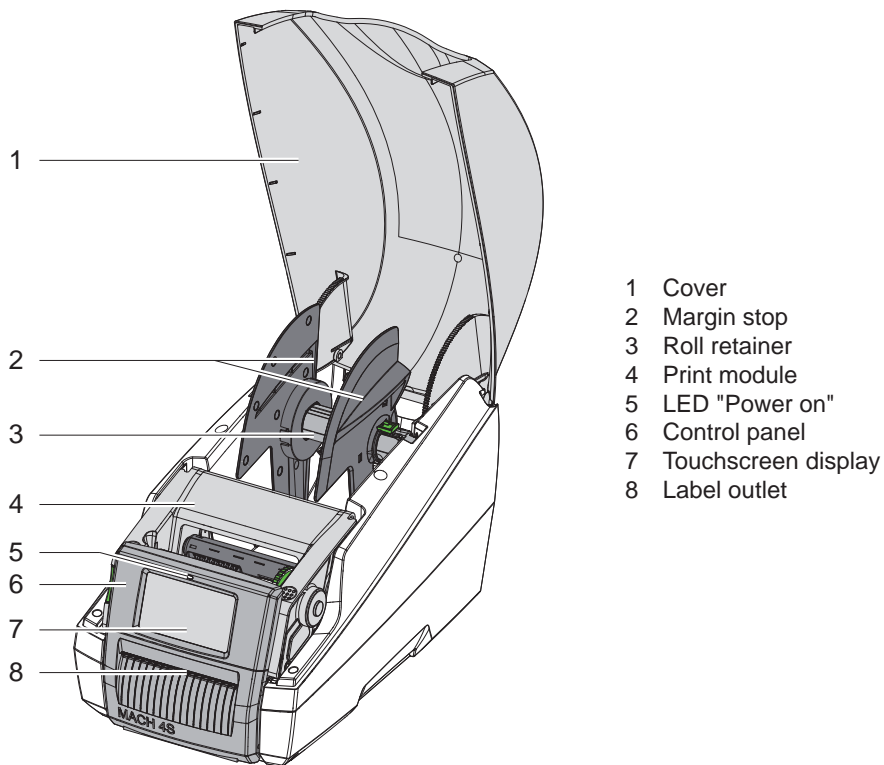
- ▶ Send the parts for recycling.



The electronic circuit board of the device is equipped with a lithium battery.

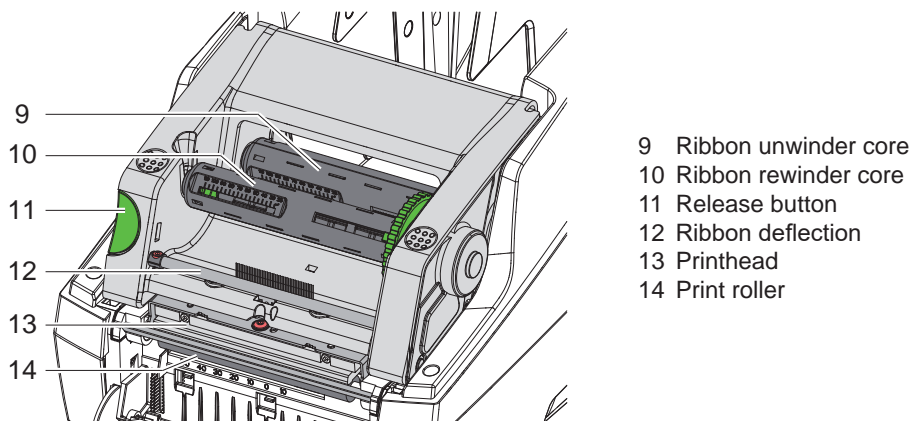
- ▶ Take old batteries to collection boxes in shops or public waste disposal centers.

2.1 Device Overview



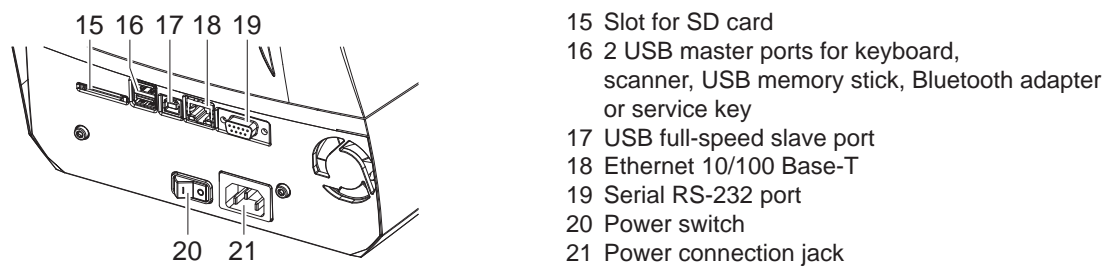
- 1 Cover
- 2 Margin stop
- 3 Roll retainer
- 4 Print module
- 5 LED "Power on"
- 6 Control panel
- 7 Touchscreen display
- 8 Label outlet

Figure 1 Overview



- 9 Ribbon unwinder core
- 10 Ribbon rewinder core
- 11 Release button
- 12 Ribbon deflection
- 13 Printhead
- 14 Print roller

Figure 2 Print module



- 15 Slot for SD card
- 16 2 USB master ports for keyboard, scanner, USB memory stick, Bluetooth adapter or service key
- 17 USB full-speed slave port
- 18 Ethernet 10/100 Base-T
- 19 Serial RS-232 port
- 20 Power switch
- 21 Power connection jack

Figure 3 Connections

2.2 Unpacking and Setting-up the Printer

- ▶ Lift the label printer out of the box.
- ▶ Check label printer for damage which may have occurred during transport.
- ▶ Check delivery for completeness.

Contents of delivery:

- Label printer
- Power cable
- USB cable
- Operator's Manual



Note!

Please keep the original packaging in case the printer must be transported or returned.



Attention!

The device and printing materials will be damaged by moisture.

- ▶ Only set up label printers in dry locations protected from water and moisture.

- ▶ Set up printer on a level surface.

2.3 Connecting the Device

The standard available interfaces and connectors are shown in Figure 3.

2.3.1 Connecting to the Power Supply

The printer is equipped with a wide area power unit. The device can be operated with a supply voltage of 230 V~/50 Hz or 115 V~/60 Hz without adjustment.

1. Check that the device is switched off.
2. Plug the power cable into the power connection jack (21).
3. Plug the power cable into a grounded socket.

2.3.2 Connecting to a Computer or Computer Network



Attention!

Inadequate or no grounding can cause malfunctions during operations.

Ensure that all computers and cables connected to the label printer are grounded.

- ▶ Connect the label printer to a computer or network with a suitable cable.

For details on the configuration of the individual interfaces ▷ Configuration Manual.

2.4 Switching on the Device

When all connections have been established:

- ▶ Switch the printer on at the power switch (20).
The printer performs a system test, and then shows the system status *Ready* in the display (7).

The user can control the operation of the printer with the control panel, for example:

- Issuing, interrupting, continuing and canceling print jobs
- Setting printing parameters, e.g. heat level of the printhead, print speed, interface configuration, language and time of day (▷ Configuration Manual)
- Control stand-alone operations with the memory module (▷ Configuration Manual)
- Update the firmware (▷ Configuration Manual)

Many functions and settings can also be controlled by software applications or by direct programming with a computer using the printer's own commands. ▷ Programming Manual for details.

Settings performed via the touchscreen display adjust the basic settings of the label printer.



Note!

It is advantageous make required adjustments to different print jobs in the software.

3.1 Start Screen

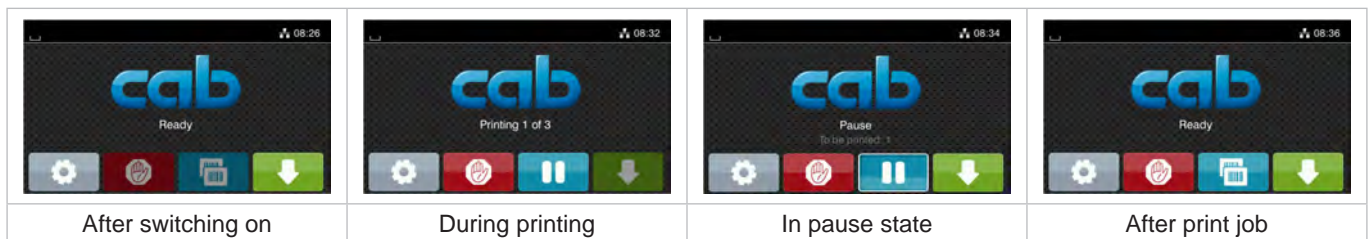


Figure 4 Start screen

The touchscreen display is operated directly by touch:

- To open a menu or select a menu item lightly touch the corresponding symbol.
- To scroll in lists slide finger up or down on the display.

	Open the menu		Repeat the last printed label
	Interrupt the print job		Cancel all print jobs
	Continue the print job		Feed a blank label

Table 1 Symbols on the start screen



Note!

Inactive symbols are dimmer than active symbols.

With special software or hardware configurations additional symbols appear on the start screen:

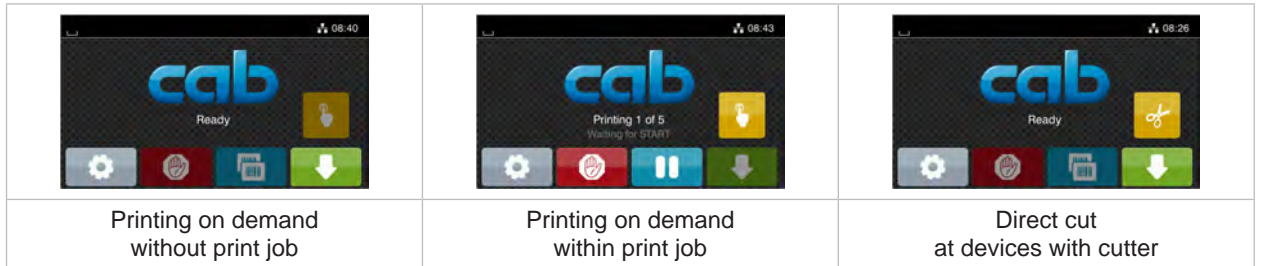


Figure 5 Optional symbols on the start screen

	Release printing of a single label within a print job including peeling-off, cutting...		Release a direct cut without media feed
--	---	--	---

Table 2 Optional symbols on the start screen

In the headline several information are displayed as widgets depending on the configuration:

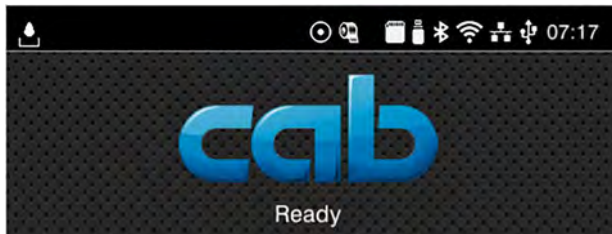


Figure 6 Widgets in the start screen

	Displays the current data transfer in the form of a falling drop.
	The <i>Save data stream</i> function is active ▷ Configuration manual All received data are stored in a .lbl file.
	Warning ribbon end ▷ Configuration manual The remaining diameter of the ribbon supply roll undershoots the set value.
	SD card installed
	USB memory installed
	gray: Bluetooth adapter installed, white: Bluetooth connection active
	WiFi connection active The WiFi strength is displayed by the number of white arcs.
	Ethernet connection active
	USB connection active
	abc program active
	Clock time

Table 3 Widgets in the start screen

3.2 Navigation in the Menu

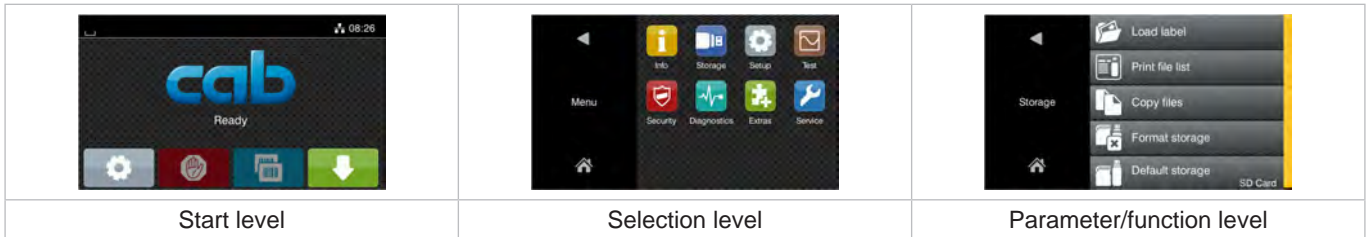





Figure 7 Menu levels

- ▶ To open the menu select  on the start screen.
- ▶ Select a theme in the selection level.
Several themes have substructures again with selection levels.
To return from the current level to the upper one select . To leave the menu select .
- ▶ Continue the selection until the parameter/function level is reached.
- ▶ Start a function. The will carry out the function possibly after a preparing dialogue.
- or -
Select a parameter to set. The setup possibilities are depending from the parameter type.

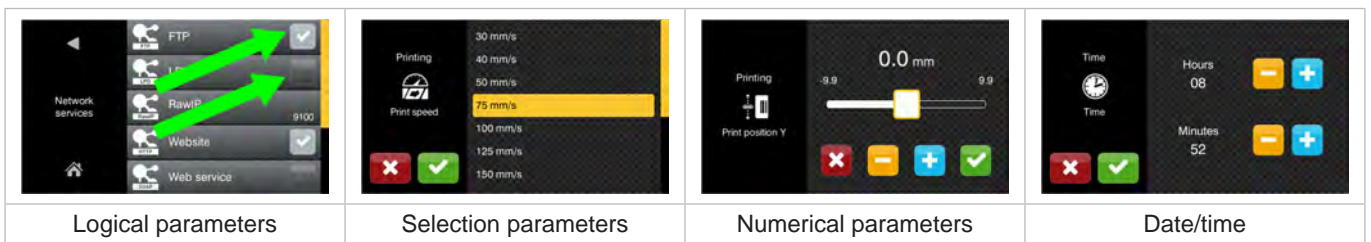


Figure 8 Samples for parameter setting








	Scroll bar for rough value setting
	Decreasing the value step-by-step
	Increasing the value step-by-step
	Return without saving the setting
	Return with saving the setting
	Parameter is disabled, touching enables the parameter
	Parameter is enabled, touching disables the parameter

Table 4 Buttons for parameter setting

4.1 Loading Label Rolls

4.1.1 Adjusting the Roll Retainer

Label rolls are supplied with different diameters. The roll retainer can hold label rolls with a core diameter of 38 - 75 mm, or 76 mm with the detachable adapters fitted.

**Note!**

- ▶ For rolls with a width up to 25 mm and a core diameter of 38 - 75 mm use the roll retainer with adapters (2) mounted.

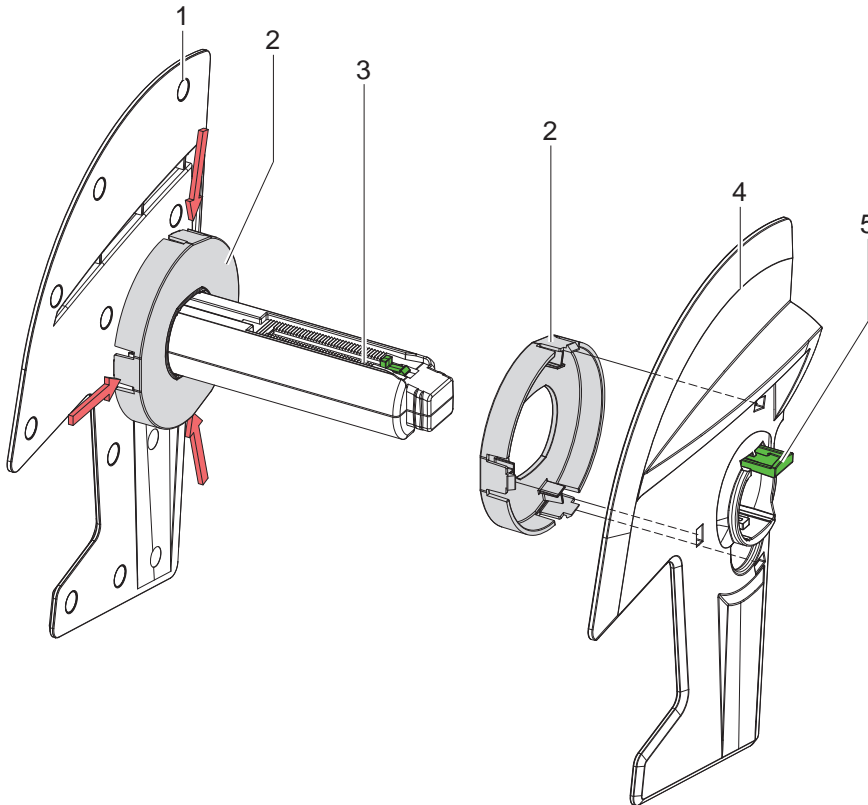


Figure 9 Adapting the roll retainer

Dismounting the adapter

- ▶ Open the cover and remove the roll retainer (3) with the margin stops (1,4) from the printer.
- ▶ Press the lever (5) and remove the margin stop (4) from the roll retainer (3).
- ▶ Press the adapter (2) in at 3 pressure point as shown in the figure, and remove it.

Mounting the adapter

- ▶ Push the adapter (2) on until it slots into place.

4.1.2 Loading the Label Roll

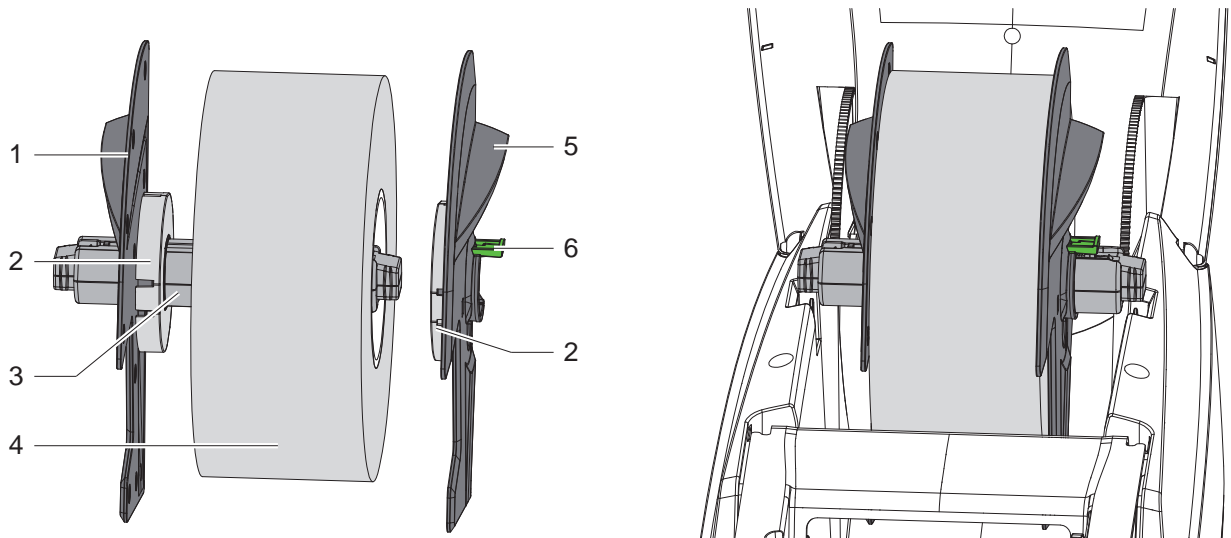


Figure 10 Loading the label roll

- ▶ Open the cover and remove the roll retainer (3) with the margin stops (1,5) from the printer.
- ▶ Press the lever (6) and remove the margin stop (5) from the roll retainer (3).
- ▶ Slide the label roll (4) onto the roll retainer (3) and respectively the adapter (2). Ensure that the labels on the unwound strip are facing up irrespective of the wind direction..
- ▶ Put the margin stop (5) onto the roll retainer (3) and slide it with lever (6) pressed against the label roll. The label roll is centered automatically.
- ▶ Place the roll retainer into the printer.

4.1.3 Inserting Labels into the Transport Module

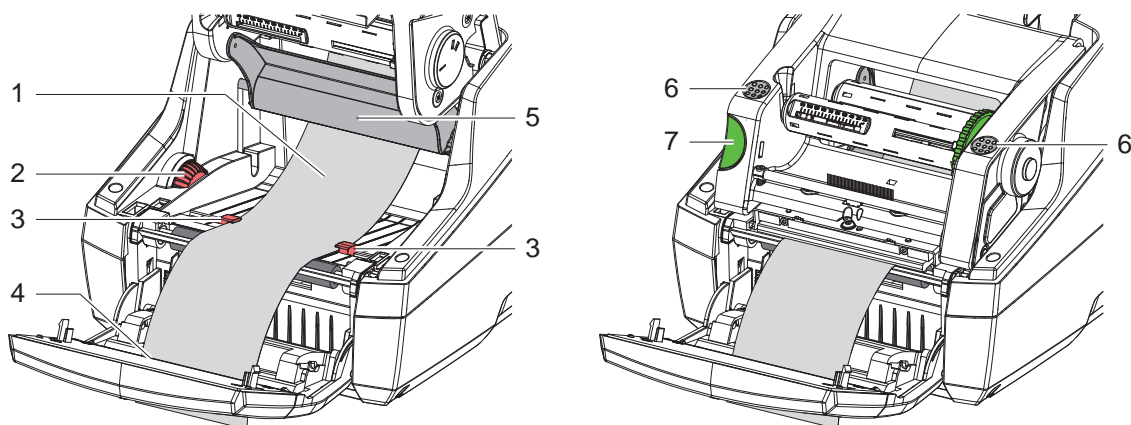


Figure 11 Inserting labels into the transport module

- ▶ Turn aside the control panel.
- ▶ Press the release button (7) to unlatch the print module and lift it up.
- ▶ Feed the labels forwards under the deflector (5) to the label outlet (4) through the control panel.
- ▶ Move the label guides (3) apart with the setting wheel (2) until the labels can pass between them. Press the label strip down, and move the label guides (3) back up against the edges of the label.
- ▶ Move the print module down and press evenly on the two marked surfaces (6) so that the unit snaps into place on both sides.
- ▶ For peel-off mode ▶ 4.3 on page 14.
For tear-off and cutting mode:
Lock the control panel and close the cover.

4.2 Loading Fanfold Media

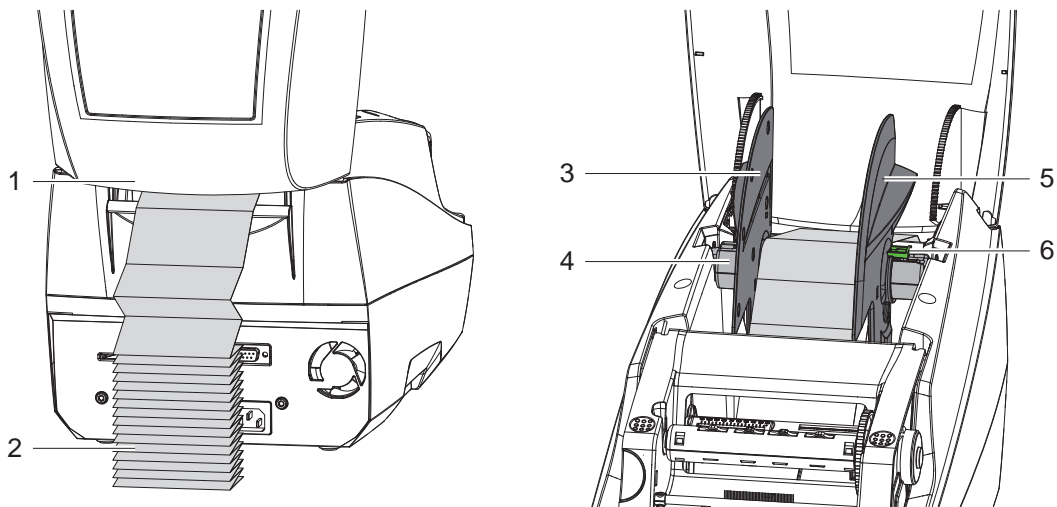


Figure 12 Loading fanfold labels

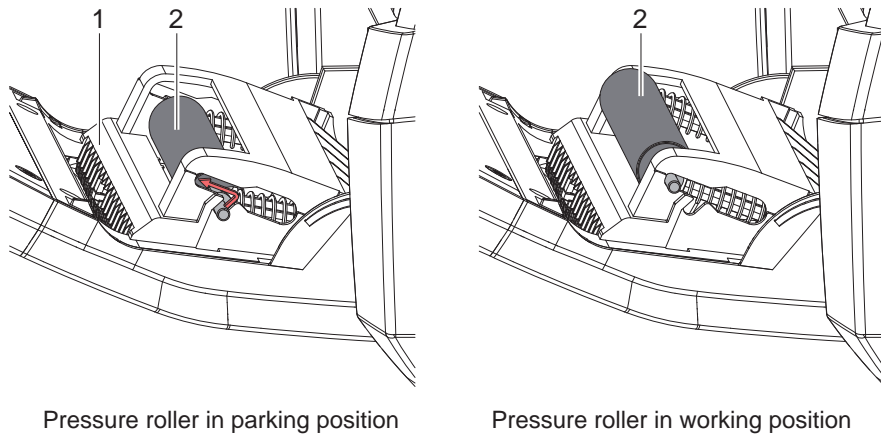
- ▶ Stack the labels (2) behind the printer. Ensure that the labels on the strip are facing upwards.
- ▶ Open the cover and unlock and lower the control panel.
- ▶ Feed the media underneath the cover (1) into the printer.
- ▶ Remove the adapters from the margin stops ▷ 4.1.1 on page 11 and place the roll retainer with margin stops into the printer.
- ▶ Feed the labels between the margin stops (3, 5) over the roll retainer (4).
- ▶ Push down the lever (6) and slide the margin stops (3,5) against the label edges. The labels are centered automatically.
- ▶ Insert the labels into the transport module ▷ 4.1.3 on page 12.

4.3 Loading Labels for Peel-off Mode



Attention!

Place the printer so that the liner can run down without hindrance.
A label jam can cause malfunctions in printing operations.



Pressure roller in parking position

Pressure roller in working position

Figure 13 Activation of the pressure roller

- ▶ Move the pressure roller (2) of the control panel (1) from the parking into the working position. In order to achieve this use on both ends of the roller and guide it into the working position.

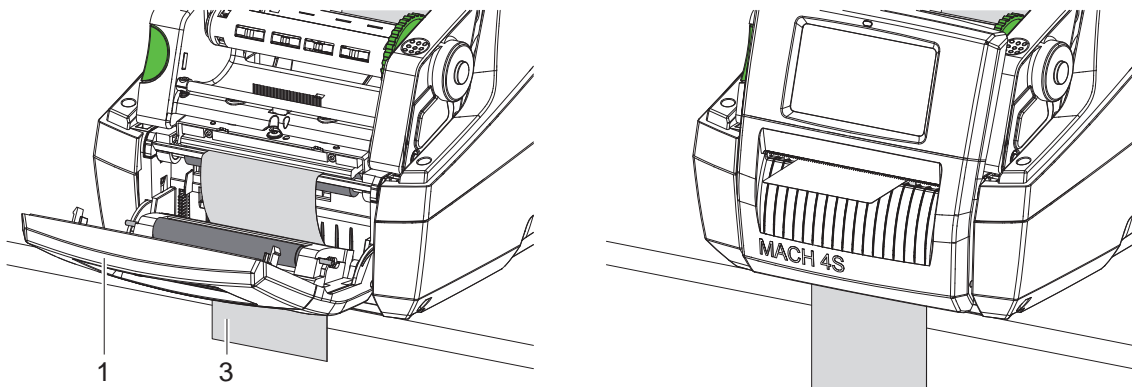


Figure 14 Loading labels for peel-off mode

- ▶ Load labels ▷ 4.1 on page 11 or 4.2 on page 13.
- ▶ Remove the labels from the first 15 cm of the material.
- ▶ Feed the liner (3) out between the control panel (1) and the printer.
- ▶ Lock the control panel into place and close the cover.
- ▶ Initiate a synchronization ▷ 5.1 on page 18.

4.4 Selecting and Positioning Label Sensors

4.4.1 Gap Sensors

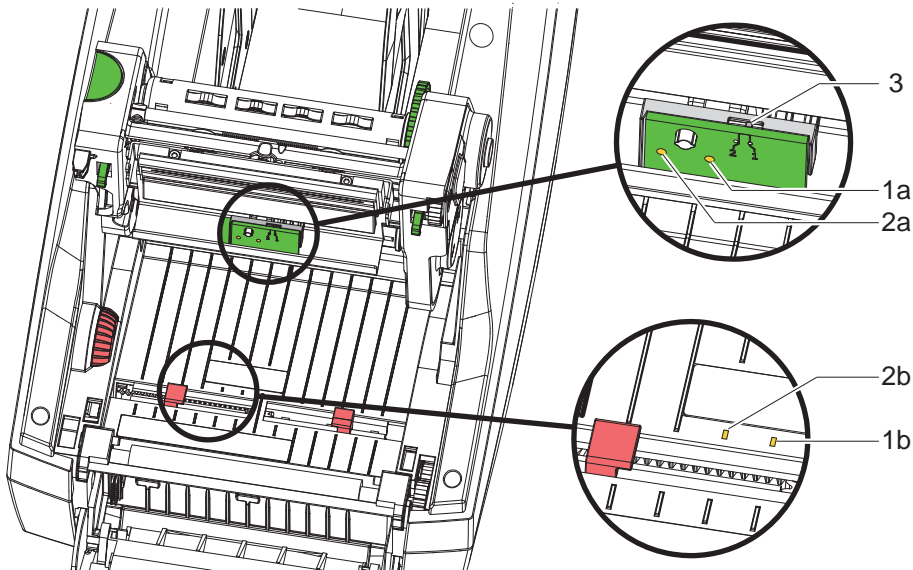


Figure 15 Selecting the gap sensor

The printer has two gap sensors (1, 2) to detect the labels front edge as well as the end of the material, which can be used alternatively. The emitters (1a, 2a) are located in the print module, the detectors (1b, 2b) in the transport module.

The gap sensor (1) is used as default. This is suitable for use with single and multi-lane labels with an odd number of lanes.

When using multi-lane labels with an even number of lanes, e.g. two or four lanes, one has to switch manually to the gap sensor (2).

- ▶ Open the cover, release and lower the control panel, press the release button and raise the print module.
- ▶ Set the switch (3) as required:
 - for gap sensor (1) - move switch to setting "1" (default),
 - for gap sensor (2) - move switch to setting "2".
- ▶ Lower the print module, locking into place, lift the control panel and close the cover.

**Note!**

The gap sensors cannot be selected via software.

4.4.2 Reflex Sensor

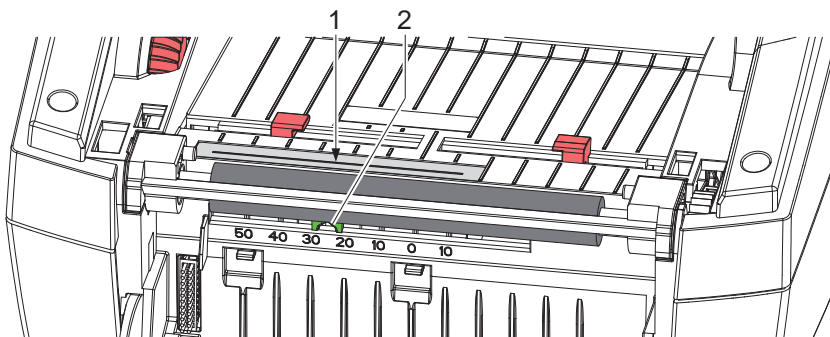


Figure 16 Positioning the reflex sensor

The reflex sensor (1) can detect marks on the back of the label stock. To adapt the sensor to the position of the reflective marks it can be moved perpendicular to the transport direction with the slide (2):

- ▶ Determine the distance of the reflective marks from the center of the material.
- ▶ Move the slider (2) to the desired position with a sharp tool if required. The distance of the sensor from the center is shown on the scale.

4.5 Loading Transfer Ribbon



Note!

- ▶ Do not insert transfer ribbon for direct thermal printing!



Attention!

Risk of contamination!

- ▶ When inserting the transfer ribbon ensure that the coated side faces the labels, otherwise the printhead will be dirtied.

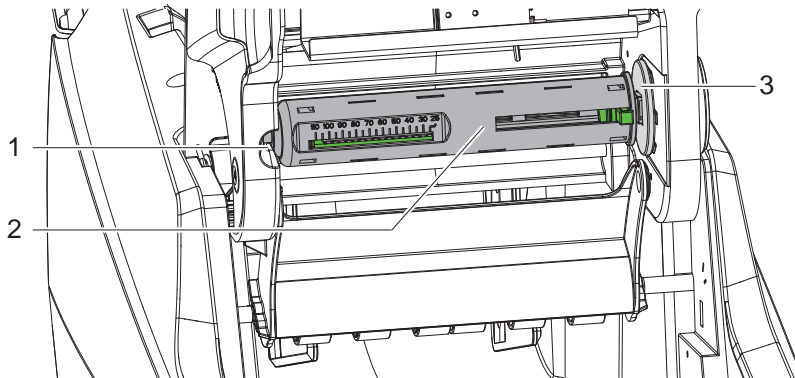


Figure 17 Removing the ribbon unwinder core

- ▶ Open the cover, unlock and lower the control panel and lift the print module.
- ▶ Press the core (2) to the right, pull it out of the slot (1) and remove it.

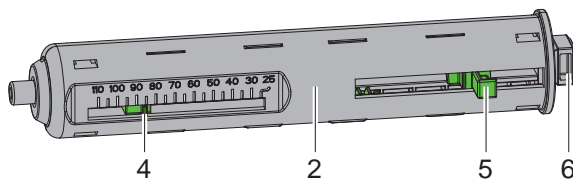


Figure 18 Adapting the core

- ▶ Adjust the core (2) to the width of the ribbon roll.
For that purpose press the lever (5) and move it in such a position that pointer (4) shows the required roll width on the scale.
- ▶ Slide the ribbon roll onto the core (2) against the lever (5). Ensure that the coated side of the transfer ribbon (11) is facing to the label stock.
- ▶ Press the rectangular end (6) of the core against the spring of the retainer (3) and slide the left end into the slot (1) until it snaps in.
- ▶ Lower the print module (do not slot in).

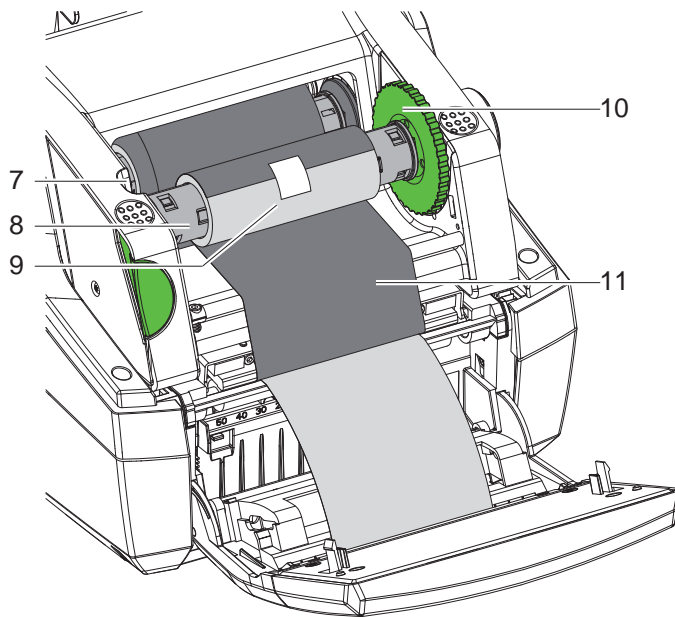


Figure 19 Loading transfer ribbon

- ▶ Remove and adjust the ribbon retractor core (8) in the same manner.
- ▶ Slide an empty cardboard roll (9) onto the core (8) against the lever.
- ▶ Press the rectangular end of the core against the spring of the tensioning wheel (10) and slide the left end into the slot (7) until it snaps in.
- ▶ Feed the transfer ribbon (11) over the printhead to the ribbon retractor, and attach the ribbon to the empty roll (9) with adhesive tape. Ensure that it is wound as shown in the figure and ensure that the ribbon is not twisted.
- ▶ Turn the tensioning wheel (10) in the winding direction until the ribbon is tightly wound on the roll.
- ▶ Lower and lock the print module, lift the control panel and close the cover.

4.6 Setting the Feed Path of the Transfer Ribbon

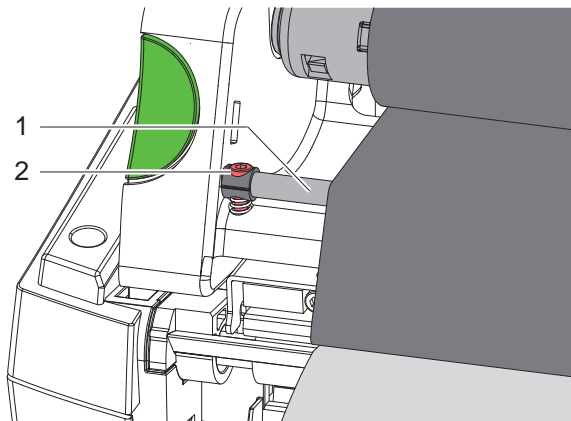


Figure 20 Setting the feed path of the transfer ribbon

Transfer ribbon wrinkling can lead to print image errors. The transfer ribbon deflection (1) can be adjusted to prevent wrinkles.



Note!
The adjustment is best carried out during printing.

- ▶ Turn screw (2) with Allen key and observe the behavior of the ribbon. Turning the screw clockwise tightens the right edge of the ribbon and turning the screw counterclockwise will tighten the left edge.


**Attention!****Printhead damage caused by improper handling!**

- ▶ Do not touch the bottom side of the printhead with fingers or sharp objects.
- ▶ Ensure that the labels are clean.
- ▶ Ensure that the label surfaces are smooth. Rough labels act like emery paper and reduce the service life of the printhead.
- ▶ Print with the lowest possible printhead temperature.

The printer is ready for operation when all connections have been made and labels and, if applicable, the transfer ribbon have been loaded.

5.1 Synchronization of the Paper Feed

After the label stock has been inserted, for peel-off or cutting mode a synchronization of the paper feed is required. That way the first label, which is detected by the label sensor, will be transported to the print position and all labels in front will be fed out of the printer. So the synchronization avoids, that blank labels are peeled-off together with the first printed label or that the first cut label would be too long. Both effects can cause a useless first labels.

- ▶ Select  to start the synchronization.
- ▶ Remove the blank labels peeled- or cut-off during the synchronization.

5.2 Tear-off Mode

After printing, the label strip is removed by hand. The label printer is equipped with a tear edge for this purpose.

Loading labels ▷ 4.1 on page 11 or 4.2 on page 13.

5.3 Peel-off Mode

- * MACH 4.3S/200P, MACH 4.3S/300P, MACH 4S/300P and MACH S4/600P only

In Peel-off mode, the labels are automatically peeled off the liner after printing and presented for removal.

The label in the peel position will be detected by an optical sensor. After the label has been removed the next label will be printed and fed to the peel position.

Loading labels ▷ 4.3 on page 14.

**Attention!****Peel-off mode must be activated in the software.****This is done with the "P command" in the direct programming ▷ Programming Manual.**

5.4 Cutting Mode

- * MACH 4.3S/200C, MACH 4.3S/300C, MACH 4S/300C and MACH S4/600C only

The labels or continuous material is cut-off automatically. The relevant cutting position is preferably set in the software.

Loading labels ▷ 4.1 on page 11 oder 4.2 on page 13.

**Attention!****Cutting mode must be activated in the software.****This is done with the "C command" in the direct programming, ▷ Programming Manual.**

6.1 Cleaning Information



Danger!

Risk of death via electrocution!

- ▶ **Disconnect the printer from the power supply before performing any maintenance tasks.**

The label printer requires very little maintenance.

It is important to clean the thermal printhead regularly. This guarantees a consistently well printed image and plays a major part in preventing premature wear of the printhead.

Otherwise, the maintenance is limited to monthly cleaning of the device.



Attention!

The printer can be damaged by aggressive cleansers.

Do not use abrasive cleaners or solvents for cleaning the external surfaces or modules.

- ▶ Remove dust and paper fluff from the print area with a soft brush or vacuum cleaner.
- ▶ The cover of the printer can be cleaned with a standard cleaner.

6.2 Cleaning the Print Roller

Accumulations of dirt on the print roller may impair the media transport and the print quality.

In the case of slight dirt accumulation, it is not necessary to remove the print roller. The roller can be turned incrementally by hand. Use a soft cloth and roller cleaner.

6.3 Cleaning the Printhead

Cleaning intervals:

direct thermal printing	- every media roll change
thermal transfer printing	- every ribbon roll change

Substances may accumulate on the printhead during printing and adversely affect printing, e.g. differences in contrast or vertical stripes.



Attention!

The printhead can be damaged!

Do not use sharp or hard objects to clean the printhead.

Do not touch the protective glass layer of the printhead.



Attention!

Risk of injury from the hot printhead line.

Ensure that the printhead has cooled down before starting cleaning tasks.

- ▶ Clean printhead surface with special cleaning cloth or a cotton swab dipped in pure alcohol.
- ▶ Allow printhead to dry for 2–3 minutes before commissioning the printer.

6.4 Cleaning the Label Sensors



Attention!

Do not damage the light barrier!

Do not use sharp objects or solvents when cleaning the light barrier.

The label sensors can be dirtied by paper dust. This can impair the detection of the start of the label or the print marks.

- ▶ Clean the label sensors with a brush, or with a cotton swab dipped in isopropyl alcohol.

6.5 Cleaning the Cutter



Note!

When cutting through the label material remains of adhesive may accumulate on the blades. If operating in backfeed mode, such remains of adhesive may be deposited on the drive roller as well.

- ▶ Clean the drive roller and the cutter blades often.

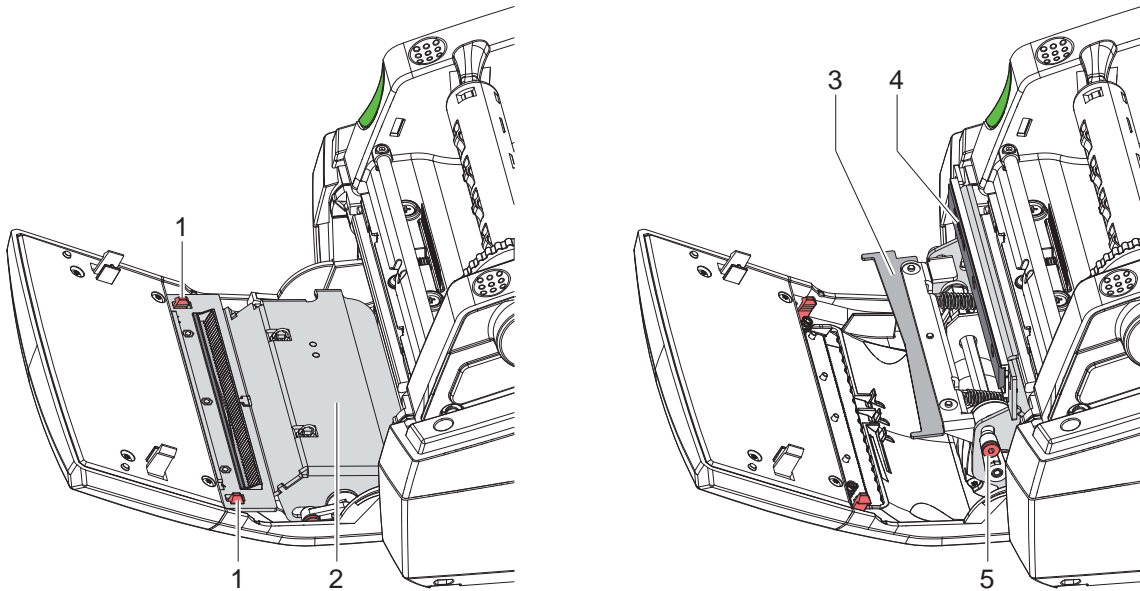


Figure 21 Cleaning the cutter

- ▶ Lower the control panel
- ▶ Release the cutting unit (2) via the plastic latches (1) and lift it off.
- ▶ Turn the screw (5) counterclockwise using a 2.5 mm allen key and swivel the clamp with the lower blade (3) away from the upper blade (4).



Warning!

Risk of cuts and bruising!

- ▶ Do not touch the blade edges with bare hands.
 - ▶ Keep hands away from the swivel range of the lower blade.
-
- ▶ Remove particles of dust and paper with a soft brush or a vacuum.
 - ▶ Remove remains of adhesive with isopropyl alcohol.
 - ▶ Remount in reverse order.

7.1 Error Display

The appearance of an error will be shown on the display:

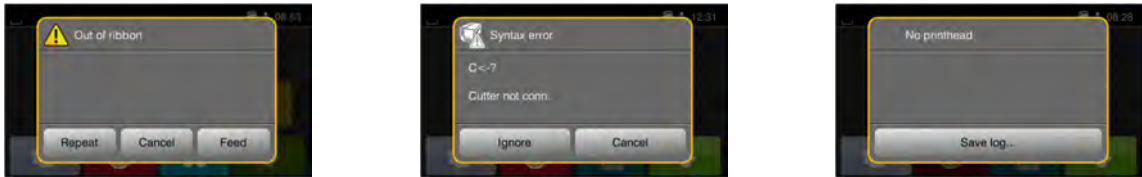


Figure 22 Error display

The error treatment is dependent on the error type ▷ 7.2 on page 21.

The display offers the following possibilities to continue after an error occurred:

<i>Repeat</i>	The print job will be continued after clearing the error cause.
<i>Cancel</i>	The print job will be cancelled.
<i>Feed</i>	The paper feed will be synchronized. There after the print job can be continued.
<i>Ignore</i>	The error message will be ignored. The print job will be continued possibly with limited performance.
<i>Save log</i>	The error does not allow print operation. For detailed analysis several system files can be saved on an external memory.

Table 5 Buttons in the error display

7.2 Error Messages and Fault Correction

Error message	Cause	Remedy
<i>Barcode error</i>	Invalid barcode content, e.g. alphanumeric characters in a numerical barcode	Correct the barcode content.
<i>Barcode too big</i>	The barcode is too big for the allocated area of the label	Reduce the size of the barcode or move it.
<i>Buffer overflow</i>	The input buffer memory is full and the computer is still transmitting data.	Use data transmission via protocol (preferably RTS/CTS).
<i>Cutter blocked</i>	Cutter cannot return into its home position and stays in an undefined position	Switch off the printer. Remove material. Switch on the printer. Restart print job. Change material
	No cutter function	Switch the printer off and then on. If error recurs call service.
<i>Cutter jammed</i>	The cutter is unable to cut the labels but is able to return into its home position	Press <i>Cancel</i> Change material.
<i>Device not conn.</i>	Programming addresses a non-existent device	Either connect this device or correct the programming.
<i>File not found</i>	Requested file is not on the card	Check the contents of the card.
<i>Font not found</i>	Error with the selected download font	Cancel current print job, change font.
<i>Memory overflow</i>	Current print job contains too much information, e.g. selected font, large graphics	Cancel current print job. Reduce amount of data to be printed.
<i>Name exists</i>	Duplicate usage of field name in the direct programming	Correct programming
<i>No label found</i>	There are labels missing on the label material	Press <i>Repeat</i> repeatedly until printer recognizes the next label on the material.
	The label format as set in the software does not correspond with the real label format	Cancel current print job. Change the label format set in the software. Restart print job.
	Printer is loaded with continuous paper, but the software is set on labels	Cancel current print job. Change the label format set in the software. Restart the print job.

Error message	Cause	Remedy
<i>No label size</i>	The size of the label is not defined in the programming.	Check programming.
<i>Out of paper</i>	Out of label roll	Load labels.
	Error in the paper feed	Check paper feed.
<i>Out of ribbon</i>	Out of transfer ribbon	Insert new transfer ribbon.
	Transfer ribbon melted during printing	Cancel current print job. Change the heat level via software. Clean the printhead ▷ 6.3 on page 19 Load transfer ribbon. Restart print job.
	The printer is loaded with thermal labels, but the software is set to transfer printing	Cancel current print job. Set software to direct thermal printing. Restart print job.
<i>Printhead open</i>	Printhead not locked	Lock printhead.
<i>Printhead too hot</i>	Printhead is overheated	After pausing the print job will be continued automatically. If the fault recurs repeatedly, reduce the heat level or the print speed via software.
<i>Read error</i>	Read error when reading from the memory card	Check data of the card. Backup data, reformat card.
<i>Remove ribbon</i>	Transfer ribbon is loaded although the printer is set to direct thermal printing	for direct thermal printing remove ribbon
		for thermal transfer printing set the printer in the configuration or in the software to transfer printing
<i>Ribbon ink side</i>	Identified ribbon unwinding direction does not match to the setup setting	Ribbon loaded incorrectly. Clean the printhead ▷ 6.3 on page 19. Load the ribbon correctly.
		Setting does not match to the used ribbon. Correct the setting.
<i>Syntax error</i>	Printer has received an unknown or invalid command from the computer.	Press <i>Ignore</i> to skip the command or press <i>Cancel</i> to cancel the print job.
<i>Unknown card</i>	Card not formatted, Type of card not supported	Format card, use different type of card.
<i>Voltage error</i>	Hardware error	Switch the printer off and then on. If error recurs call service. It is shown which voltage has failed. Please note.
<i>Write error</i>	Hardware error	Repeat the write process, reformat card.

Table 6 Error Messages and Fault Correction

7.3 Problem Solution

Problem	Cause	Remedy
Transfer ribbon creases	Transfer ribbon deflection not adjusted	Adjust the transfer ribbon deflection. ▷ 4.6 on page 17
	Transfer ribbon too wide	Use a transfer ribbon slightly wider than the width of label.
Print image has smears or voids	Printhead is dirty	Clean the printhead ▷ 6.3 on page 19.
	Temperature too high	Decrease temperature via software.
	Unsuitable combination of labels and transfer ribbon	Use different type of ribbon.
Printer does not stop after transfer ribbon runs out	Thermal printing is chosen in the software	Change to thermal transfer printing.
Printer prints a sequence of characters instead of the label format	Printer is in ASCII dump mode	Cancel the ASCII dump mode.
Printer transports label media, but transfer ribbon does not move	Transfer ribbon incorrectly inserted.	Check and, if necessary, correct the transfer ribbon web and the orientation of the label side.
	Unsuitable combination of labels and transfer ribbon	Use different type of ribbon.
Printer only prints each second label	Setting of the size in the software is too large.	Change the size in the software.
Vertical white lines in the print image	Printhead is dirty	Clean the printhead ▷ 6.3 on page 19.
	Printhead is defective (failure of heat elements)	Change the printhead. ▷ Service Manual.
Horizontal white lines in the print image	Printer is used with the <i>backfeed > smart</i> in the cut or peel-off mode	Set the <i>backfeed > always</i> in the setup. ▷ Configuration Manual.
Print image is irregular, one side is lighter	Printhead is dirty	Clean the printhead ▷ 6.3 on page 19.

Table 7 Problem solution

8.1 Media Dimensions

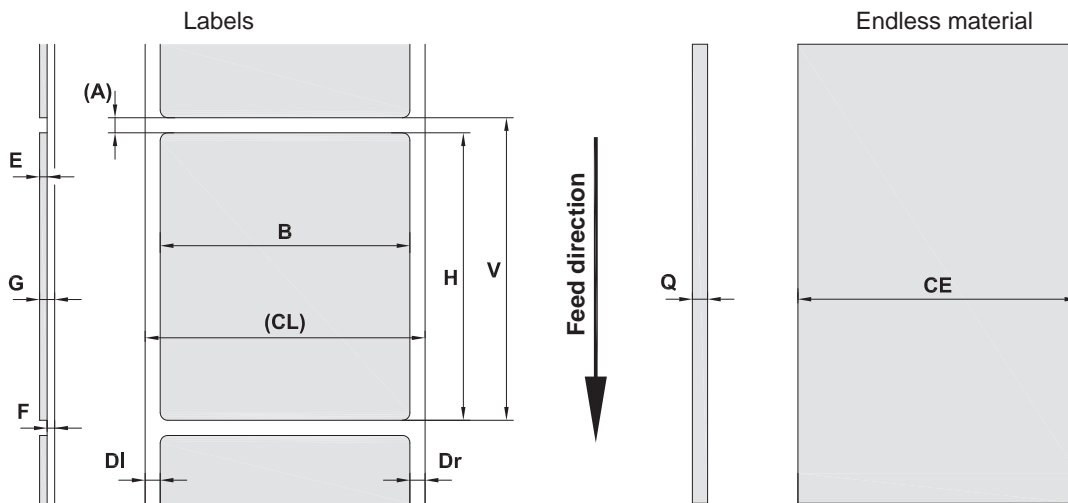


Figure 23 Label / endless material dimensions

Dim.	Designation	Dim. in mm
B	Label width	5 - 116
H	Label height in peel-off mode	≥ 5 12 - 200
-	Cut length	≥ 20
A	Label distance	> 2
CL	Width of liner with core diameter 38 mm with core diameter 76 mm	9 - 120 25 - 120
CE	Width of endless material with core diameter 38 mm with core diameter 76 mm	5 - 120 25 - 120
DI	Left margin	≥ 0
Dr	Right margin	≥ 0
E	Label thickness	0,025 - 0,7
F	Liner thickness	0,03 - 0,1
G	Thickness label with liner	0,055 - 0,8
Q	Thickness endless material	0,03 - 0,8
V	Label feed	> 7
<ul style="list-style-type: none"> • Small label sizes, thin materials or strong glue can lead to limitations. Critical applications need to be tested and cleared. • Note the bending stiffness ! Material must be flexible to follow the radius of the print roller ! 		

Table 8 Label / endless material dimensions

8.2 Device Dimensions

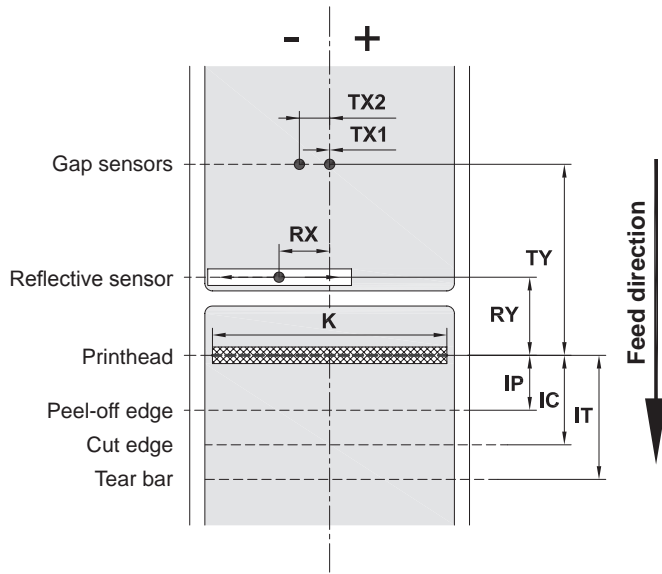


Figure 24 Device dimensions

Dim.	Designation	Dim. in mm
IP	Distance printhead - peel-off edge	13,2
IC	Distance printhead - cut edge	17,5
IT	Distance printhead - tear bar	24,0
K	Print width with printhead 4.3/200 with printhead 4.3/300 with printhead 4/300 with printhead 4/600	104,0 108,4 105,6 105,6
RX	Distance reflective sensor - middle of paper track i.e. permissible distance of reflex or cut-out marks from the middle of the material	-56 - +10
RY	Distance reflective sensor - printhead	16,0
TX	Distance gap sensor - middle of paper track TX1 : Sensor for single and multi-lane labels with an odd number of lanes. TX2 : Sensor for multi-lane labels with an even number of lanes.	0 -10
TY	Distance gap sensor - printhead	56,5

Table 9 Device dimensions

8.3 Reflex Mark Dimensions

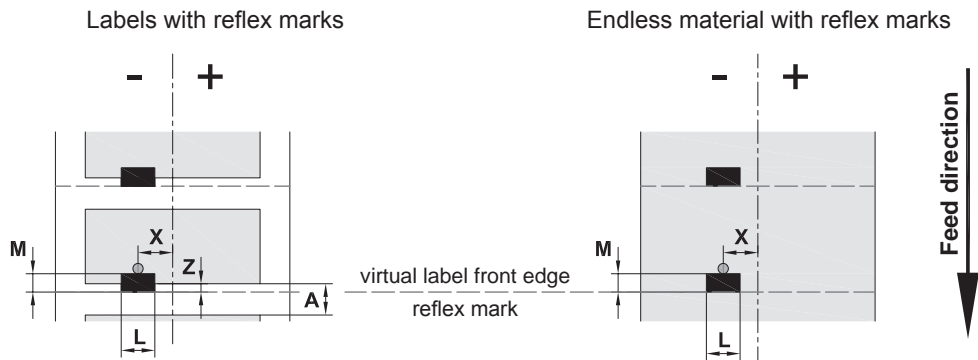
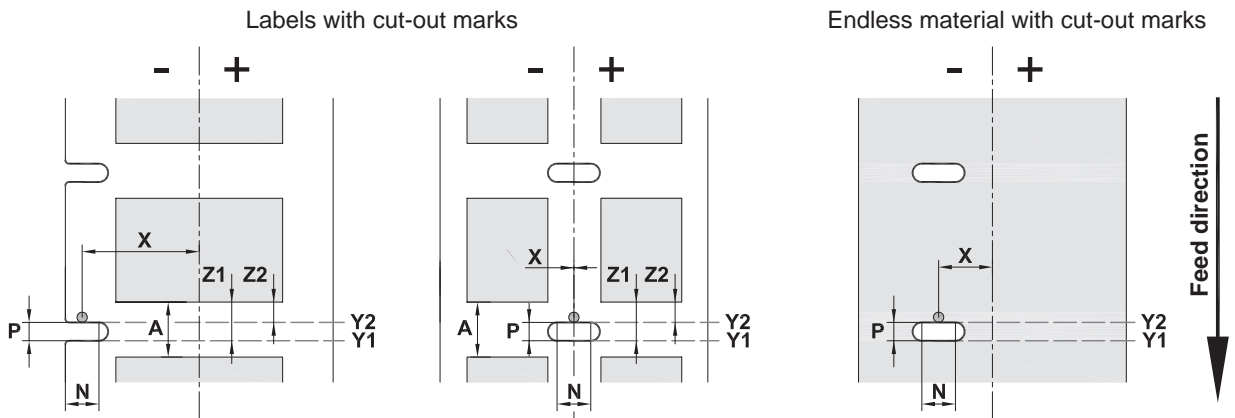


Figure 25 Reflex mark dimensions

Dim.	Designation	Dim. in mm
A	Label distance	> 2
L	Width of reflex mark	> 5
M	Height of reflex mark	3 - 10
X	Distance mark - middle of paper track for reflective sensor recognition	-56 up to +10
Z	Distance virtual label front edge - actual label front edge ▶ Adjust software settings	0 up to A / recomm.: 0
<ul style="list-style-type: none"> • Reflex marks must be on the back side of the material (liner). • Specification is valid for black marks. • Recognition of colored marks may fail. ▶ Preliminary tests are needed. 		

Table 10 Reflex mark dimensions

8.4 Cut-out Mark Dimensions



for marginal cut-out marks
minimum liner thickness 0,06 mm

Figure 26 Cut-out mark dimensions

Dim.	Designation	Dim. in mm
A	Label distance	> 2
N	Width of cut-out mark	> 5
P	Height of cut-out mark	2 - 10
X	Distance mark - middle of paper track for gap sensor recognition for reflective sensor recognition	-10 or 0 -56 up to +10
Y1	Sensor recognized virtual label front edge with reflective sensor recognition ¹⁾	Front edge cut-out
Y2	with gap sensor recognition	Rear edge cut-out
Z1	Distance recognized front edge - actual label front edge with reflective sensor recognition	P up to A
Z2	with gap sensor recognition using transparent labels ▶ Adjust software settings	0 up to A-P
¹⁾ Backside of the material must be sufficiently reflective.		

Table 11 Cut-out mark dimensions

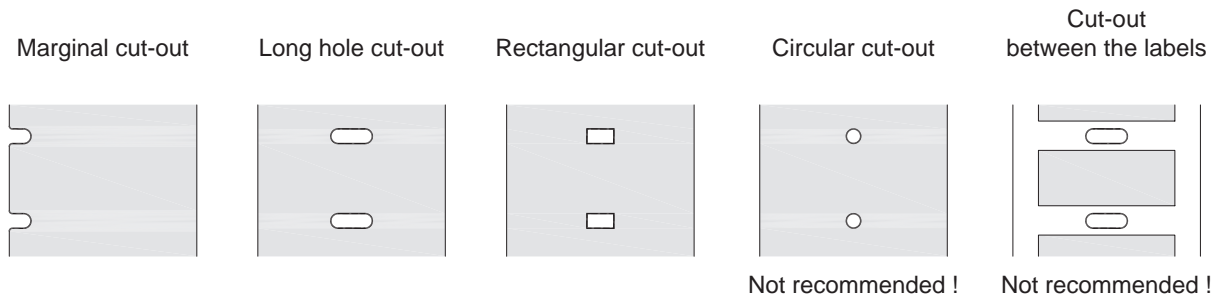


Figure 27 Samples for cut-out marks

9.1 Reference to the EU Declaration of Conformity

The printers of the MACH 4S series comply with the relevant fundamental regulations of the EU Rules for Safety and Health:

- Directive 2014/35/EU relating to electrical equipment designed for use within certain voltage limits
- Directive 2014/30/EU relating to electromagnetic compatibility
- Directive 2011/65/EU on the restriction of the use of certain hazardous substances in electrical and electronic equipment

EU Declaration of Conformity

▷ <https://www.cab.de/media/pushfile.cfm?file=2980> 



9.2 FCC

NOTE : This equipment has been tested and found to comply with the limits for a Class A digital device, pursuant to Part 15 of the FCC Rules. These limits are designed to provide reasonable protection against harmful interference when the equipment is operated in a commercial environment. The equipment generates, uses, and can radiate radio frequency and, if not installed and used in accordance with the instruction manual, may cause harmful interference to radio communications. Operation of this equipment in a residential area is likely to cause harmful interference in which case the user may be required to correct the interference at his own expense.

A		P	
Adapter		Peel-off mode	18
Dismounting	11	Loading labels	14
Mounting	11	Power supply	5
C		Pressure roller	14
Cleaning		Printhead	
Cutter	20	Cleaning	19
Label sensors	19	Damage	18
Printhead	19	Print roller	
Print roller	19	Cleaning	19
Connecting	7	Problem solution	23
Contents of delivery	7	R	
Cut mode	18	Reflex marks	26
Cut-out marks	27	Reflex sensor	
D		Positioning	15
Declaration of Conformity	28	Roll retainer	
Device dimensions	25	Adapting	11
Device overview	6	S	
E		Safety instructions	5
Endless material	24	SD card	6
Environment	5	Service work	5
Errors		Setting-up	7
Correction	21	Supply voltage	7
Display	21	Switching on	7
Messages	21	Synchronization of the paper feed	18
F		T	
Fanfold labels		Tear-off mode	18
Loading	13	Touchscreen-Display	8
G		Transfer ribbon	
Gap sensor		Loading	16
Selecting	15	Setting the feed path	17
I		Winding direction	16
Important information	4	U	
Intended use	4	Unpacking	7
Interface		V	
Ethernet	6	Voltage	5
RS-232	6	W	
USB master	6	Warning stickers	5
USB slave	6		
L			
Label dimensions	24		
Label sensor			
Cleaning	19		
Positioning	15		
Selecting	15		
Lithium battery	5		
M			
Margin stop	6		

This page was left blank intentionally.